

4

3

2

1

NOTICE OF PROPRIETARY RIGHTS

This document contains confidential technical data, including trade secrets, proprietary to Puroflux, Inc. Disclosure of this data to you is expressly conditioned upon your assent that its use is limited to use within your company only (and does not include manufacture or processing uses). Any other use is strictly prohibited without the prior written consent of Puroflux, Inc.

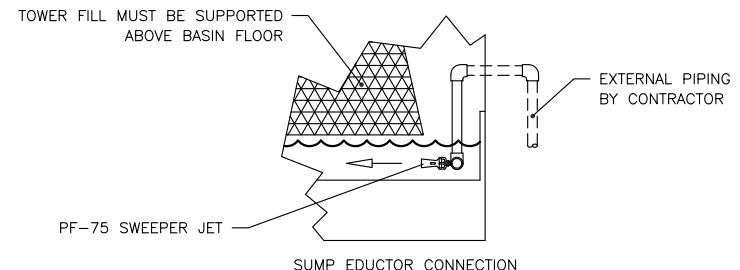
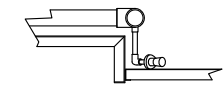
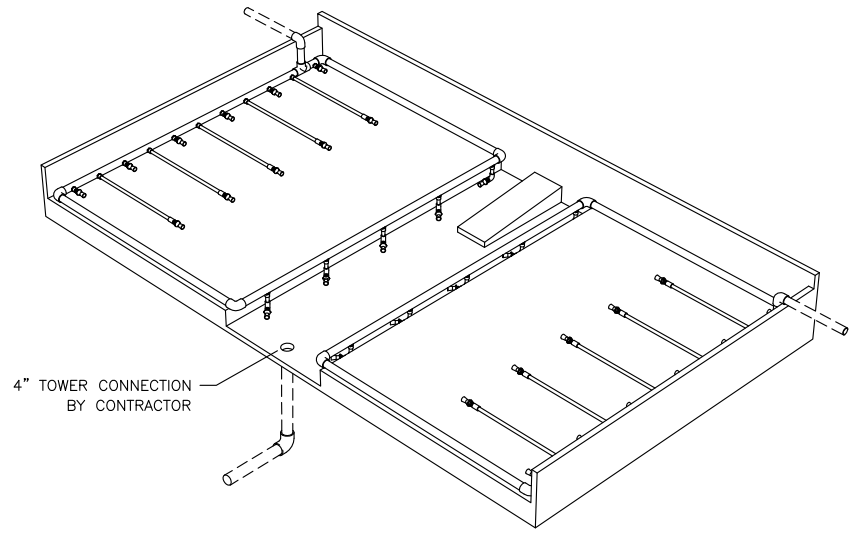
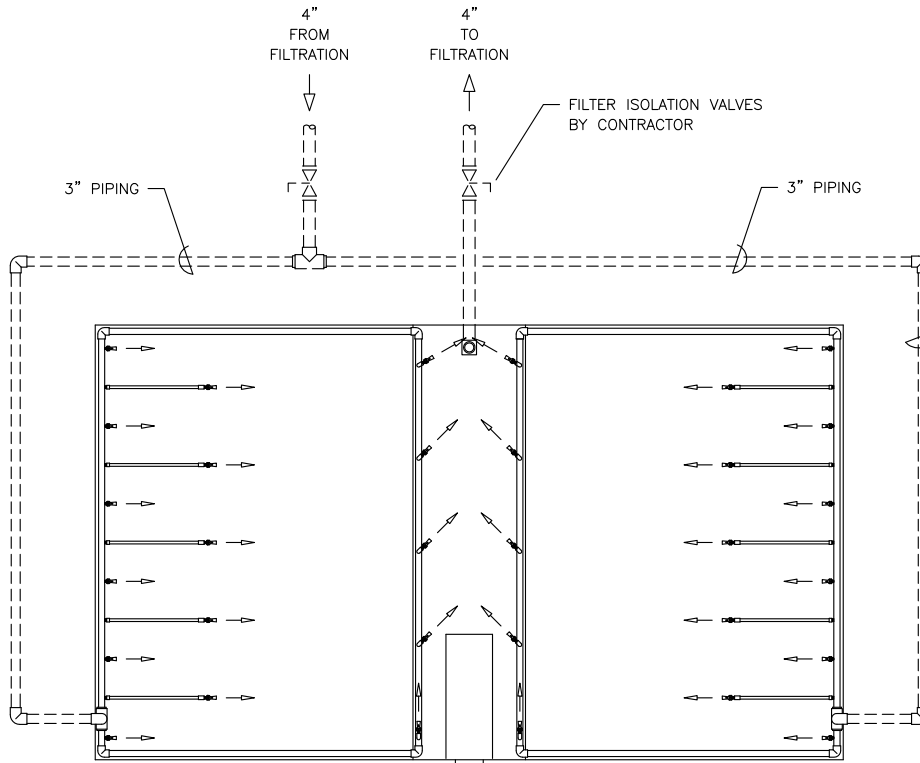
SUBMITTAL DRAWING

This drawing is submitted for spacial & illustrative purposes only. Do not pre-plumb to these dimensions.

REVISIONS			
REV	DESCRIPTION	DATE	APPROVED

NOTES:

1. DRAWING NOT TO SCALE
2. PLUMBING SHOWN FOR ILLUSTRATION PURPOSES ONLY
- ACTUAL PLUMBING MAY VARY
3. FLOODED SUCTION REQUIRED PRIOR TO STARTING SYSTEM
- PUMP CHECK VALVE MAY BE REQUIRED : SUPPLIED BY CONTRACTOR
4. ALL PIPE SECTIONS TO BE FIELD CUT TO PROPER LENGTH - BY CONTRACTOR
5. SWEEPER JETS MUST REMAIN SUBMERGED BELOW WATER LEVEL
6. TOWER FILL MUST BE SUPPORTED ABOVE BASIN FLOOR



EQUIPMENT	FLOW RATE	HP	CONNECTION	JOB NAME
PF-4054	315 GPM	7.5 HP	4 INCH	PUROFLUX REP
PF-63-040A	330 GPM	10 HP	4 INCH	
PF-64-040A	330 GPM	10 HP	4 INCH	

MATERIAL	UNLESS OTHERWISE NOTED	PROJ. NO.	SUMP SWEEPER PIPING LAYOUT BAC SERIES 3000 : 14' X 24'
	HEAT TREAT	DRAWN	
	FINISH	CHECKED	
	APPLICATION	DESIGN APPROVED	
NEXT ASSEMBLY		MFG APPROVED	2121 UNION PLACE SIMI VALLEY CA 93065 PHONE: (805) 579-0216 FAX: (805) 579-6005
MATERIAL		QA APPROVED	
DIMENSIONS ARE IN INCHES DO NOT SCALE THIS DRAWING		RELEASE DATE	SCALE NONE
INTERPRET DRAWING PER APPLICABLE STANDARDS			DWG. NO.
DECIMALS .XX ± ± -			REV
ANGLES ° ± -			
SURFACE FINISH .XXX ± -			
THREADS PER NBS HANDBOOK-H28			
CONCENTRICITIES .010 TR			
BREAK CORNERS .005-.015			
INTERNAL RADIUS .015-.030			

4

3

2

1

D

D

C

C

B

B

A

A

DWG. NO. SH REV

1 OF 1